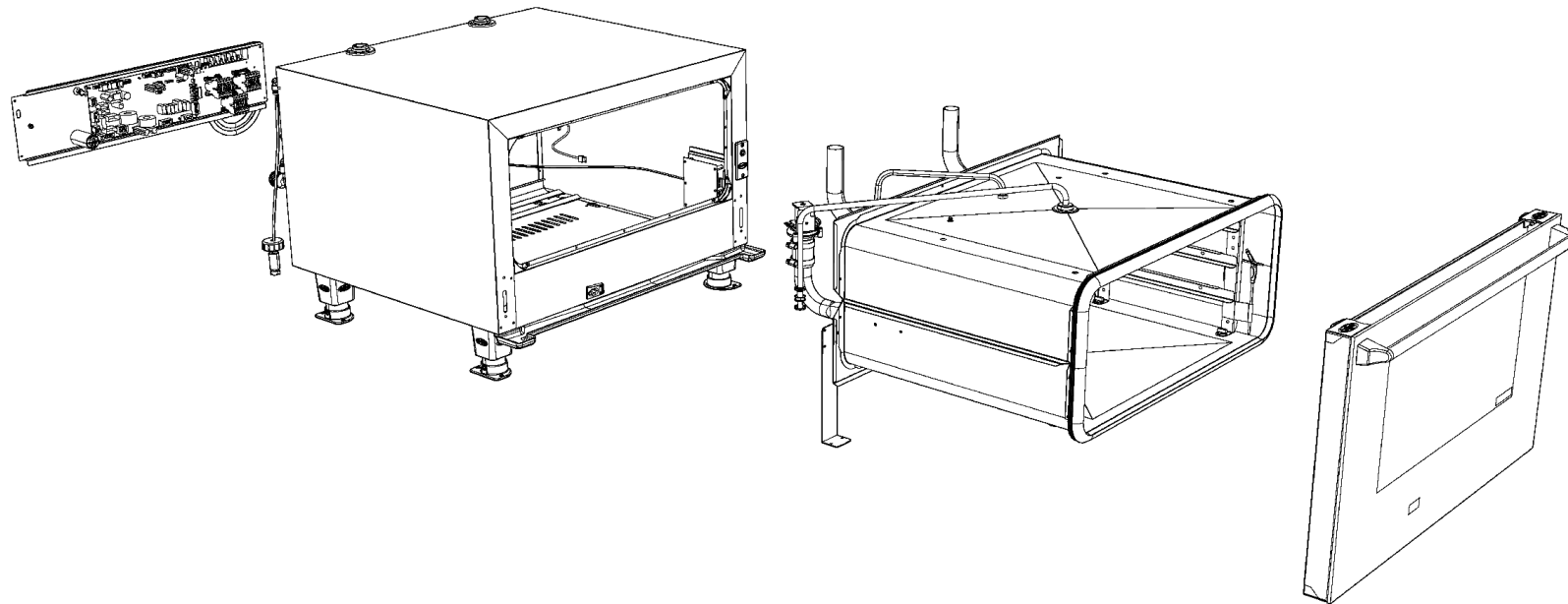
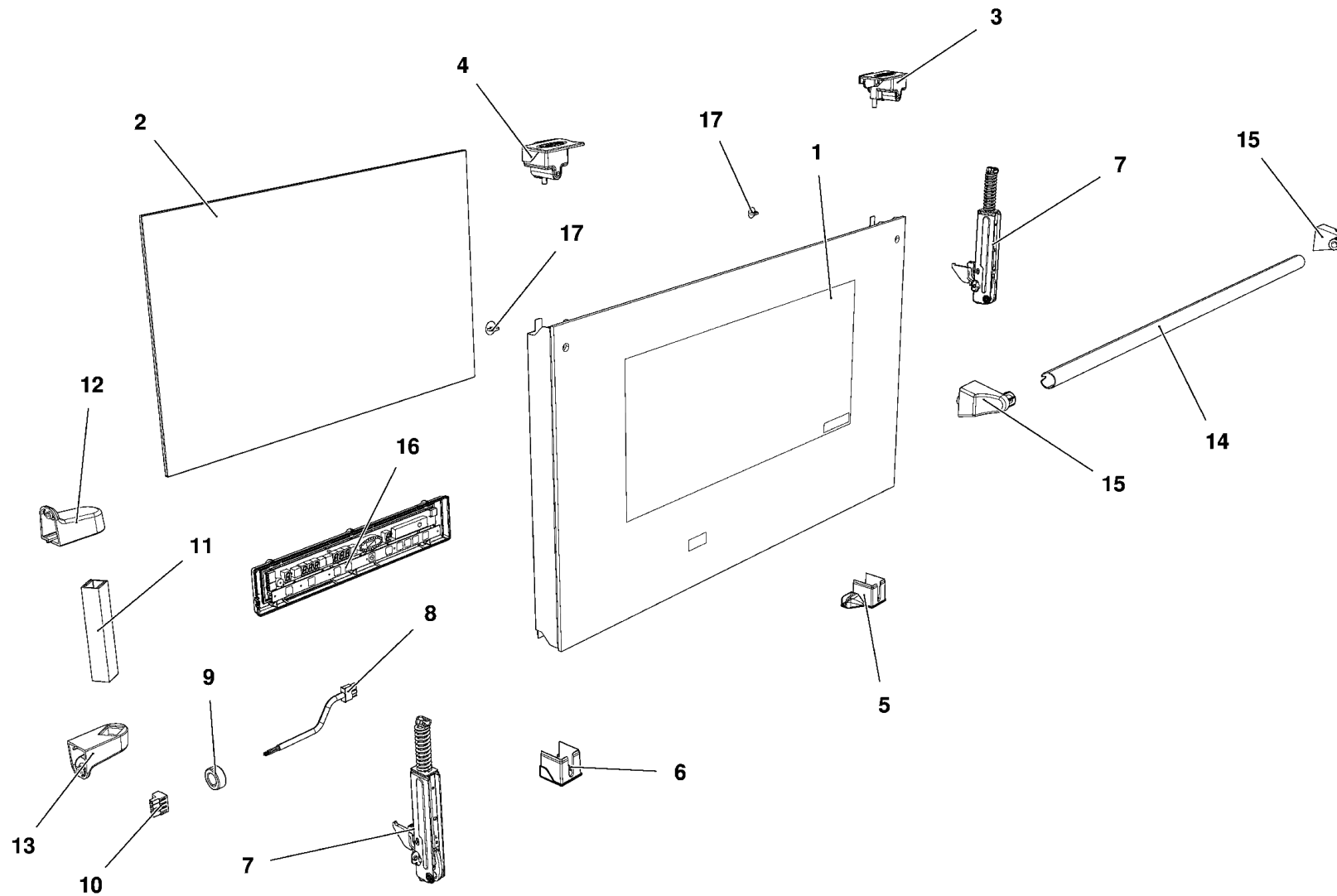


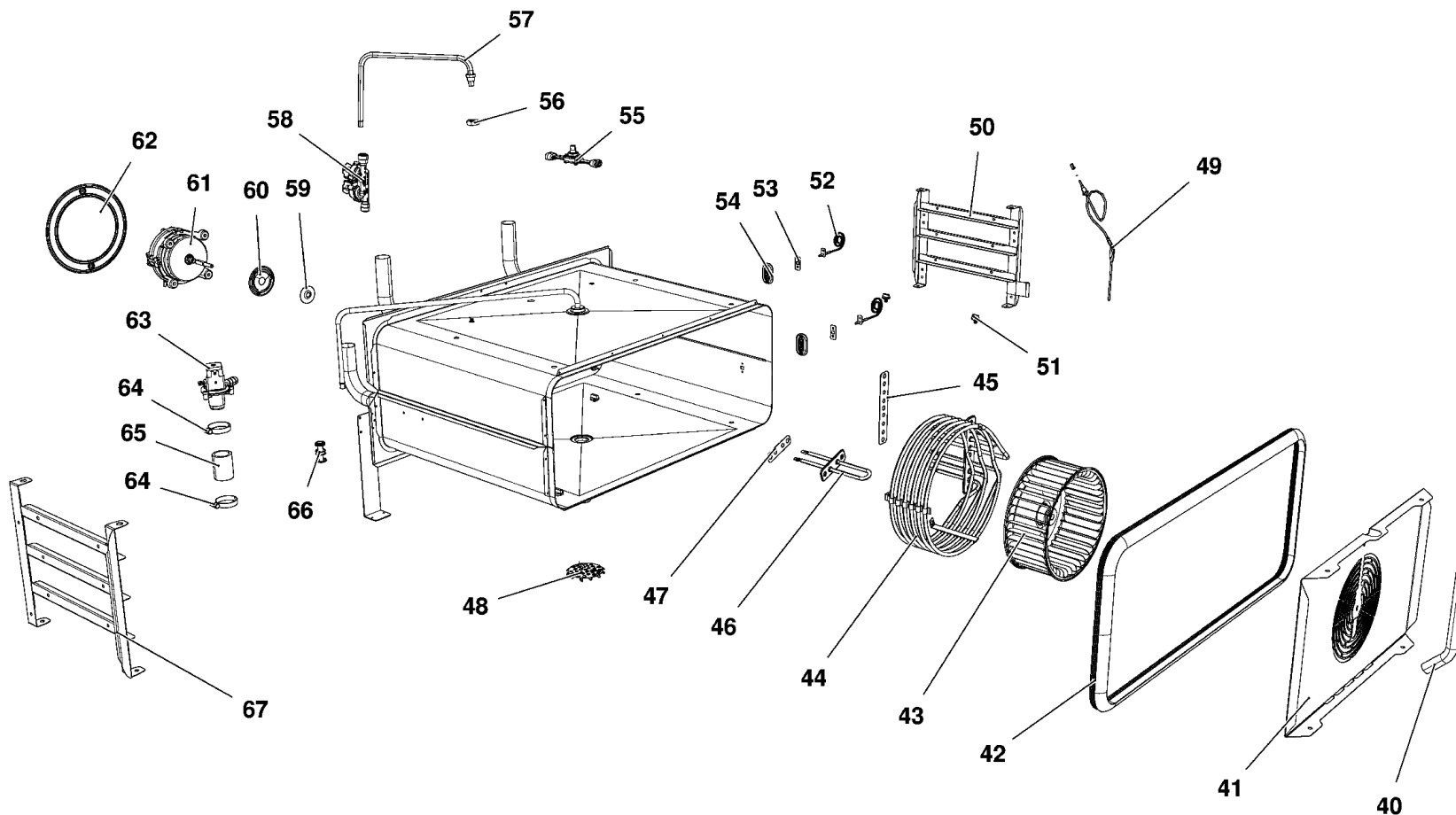
MOD:XVC105E



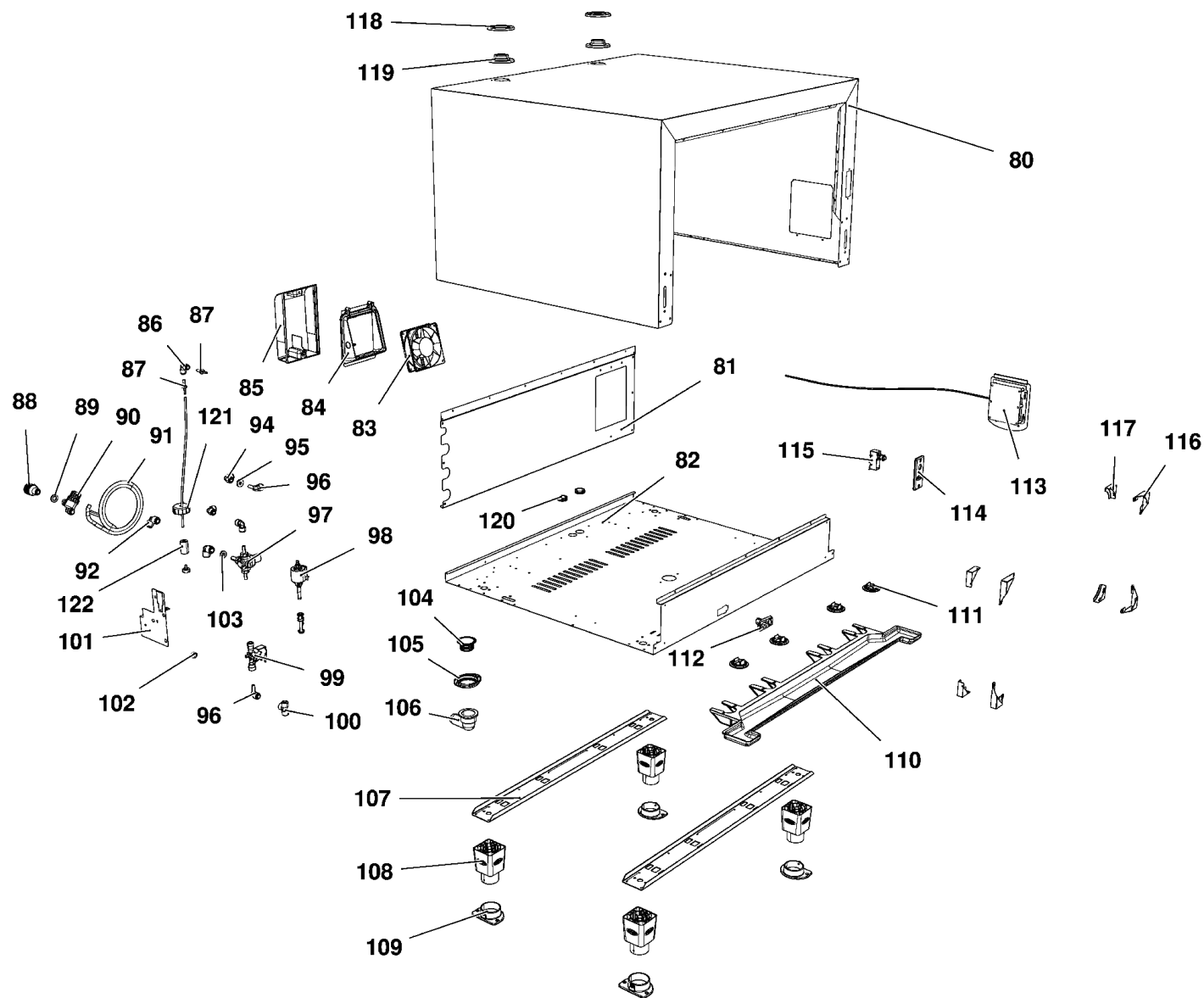
MOD:XVC105E



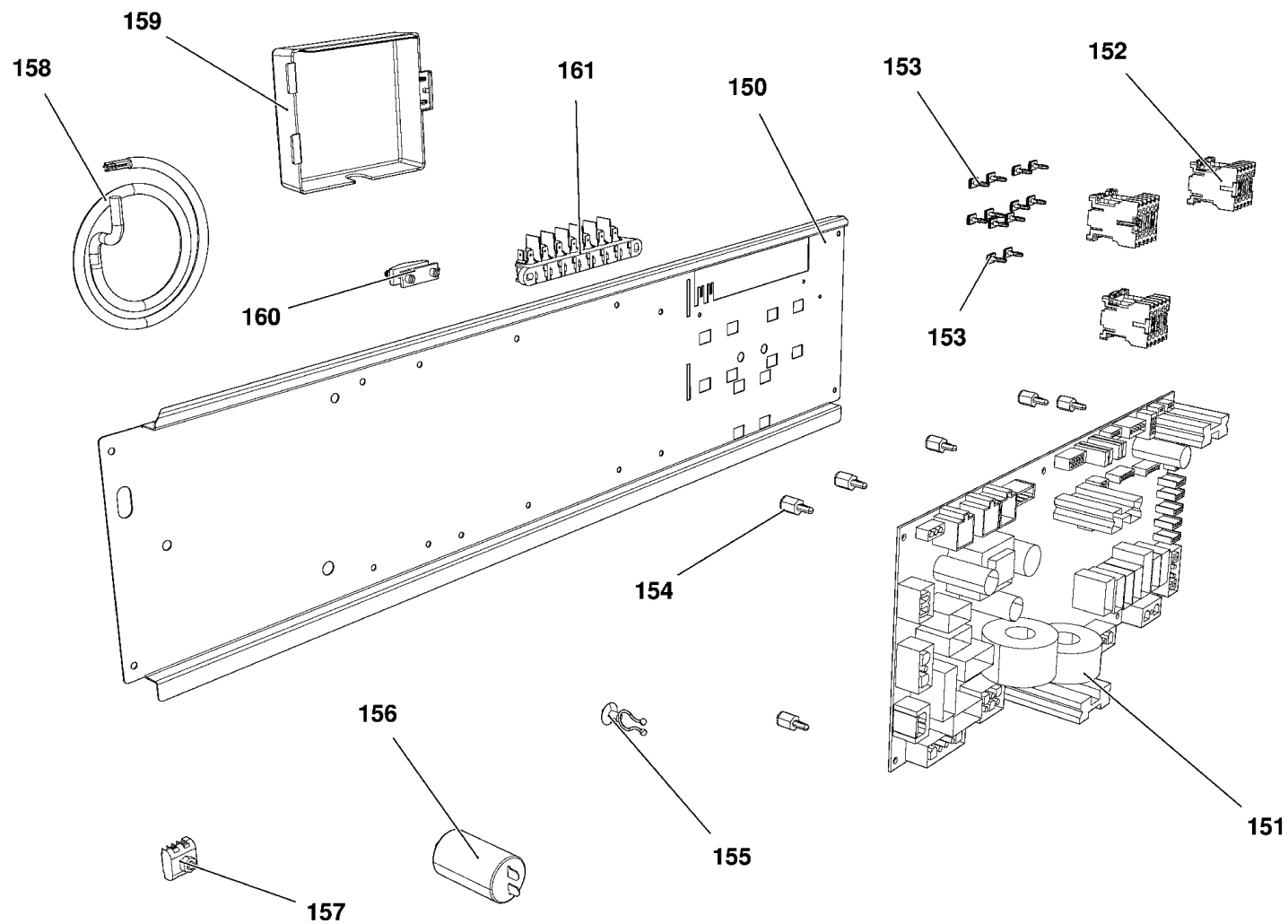
MOD:XVC105E



MOD:XVC105E



MOD:XVC105E



MOD:XVC105E



IT

Descrizione codici

1	VT1121B	VETRO ESTERNO SER. 748X424X5 CTFL XVC105
2	VT1120B	VETRO INTERNO 665X415X6 BETFL XVC104
3	VM1916A	TAPPO COLONNINA SUP DX
4	VM1917A	TAPPO COLONNINA SUP SX
5	VM1918A	TAPPO COLONNINA INF DX
6	VM1919A	TAPPO COLONNINA INF SX
7	CR1050A	CERNIERA PORTA FORNO RIBALTA XVC104-LM
8	CE1280A	CAVO COLLEGAMENTO POTENZA CONTROLLO L1.5
9	CE1285A	FERRITE EMI ROUND MOD. 2643801502
10	CE1290A	MORSETTO FEMMINA ESTRAIBILE CPF 5/4
11	LP1000A	BARRA ILLUMINAZIONE LED L100
12	VM1620A	SUPPORTO INF BARRA LED
13	VM1621A	SUPPORTO SUP BARRA LED
14	OH2620B	TUBO MANIGLIA L= 668 Ø18X1
15	MG1015B	TERMINALE MANIGLIA L.MISS/L.MICRO/CHEFTO
16	PE1740A	SCHEDA CONTROLLO PE1705 CT BT
17	VM1025A	TAPPO NYLON PA66 V2 GRIGIO Ø16
40	TB2354A	TUBO UMIDITA' CENT. XVC055E/105E Ø16X1
41	OG1507A	CARTER ARIA XVC105E
42	GN1036A	GN1110A-GUARNIZIONE PORTA XVC105
43	VN1030A	VENTOLA D196 H81 39 PALE DADO M8
44	RS1225A	RES. CIRCOLARE 4700W 230V D230 6 SPIRE
45	GN1085A	GUARNIZIONE RESISTENZA 141X24 G6.25
46	RS1215A	RES. PIANA 147W 105V D230 1 SPIRA
47	GN1326A	GUARNIZIONE RESISTENZA 71X19 G6.25
48	OH2551A	TAPPO PER TUBO DI SCARICO LIQUIDI INOX C
49	TR1040A	SONDA AL CUORE STAMPATA L=1320
50	GRL1215A	SUPPORTO LATERALE DX INOX 3TG GN2/3
51	VM1820A	NOTTOLINO M6 CROMATO FISS. SUPPORTI
52	TR1105A	SONDA TEMPERATURA PT100 L1000
53	GN1285A	GUARNIZIONE SONDA DI TEMPERATURA NTC

54	VM1465A	COPERCHIO SONDA TEMPERATURA CHEFTOP
55	VM1955B	CORPO GIRANTE LAVAGGIO
56	RC1170A	DADO M14 H=8 CH=22 INOX
57	OH3015A	TUBO EST. UMIDITA' + RC1165A0
58	EL1361A	ELETTROVALVOLA TRI-STADIO JG D8-D10
59	GN1140A	GUARNIZIONE PORTAMOTORE STAMP.
60	OH4305A	DISCO TENUTA ALBERO MOTORE INOX STP
61	VN1130A	MOTORE FORNO 330W 230V 50/60HZ
62	OH3586A	LAMIERA PROTEZIONE MOTORE ZINCATO
63	VE1135A	ATTUATORE VENTURI 220V 50/60 HZ SERIE 2
64	RC1378A	FASCETTA STRINGI TUBO ZINCATA
65	TB1956A	TB1520A-TUBO NERO EPDM L=50
66	EL1055A	RIDUZIONE INTERMEDIA D10-D8
67	GRL1216A	SUPPORTO LATERALE SX INOX 3TG GN2/3
80	OD2190A	MANTELLO XVC105E
81	OF1455A	SCHIENA XVC105E
82	OE1321A	FONDO ESTERNO XVC105E
83	VN1120B	VENTOLA RAFFREDDAMENTO 12V CABLATA
84	VM1555A	SUPPORTO VENTOLA RAFFREDDAMENTO CT BT
85	VM1556A	PROTEZIONE VENTOLA RAFFREDDAMENTO CT-BT
86	RC1373A	RACCORDO GOMITO Ø6F-Ø6F
87	VL1043A	PORTAGOMMA D4-CODOLO D6
88	RC1365A	RACCORDO JG FEMMINA 3/4"-10
89	GN1200A	GUARNIZIONE D=24 RACCORDO 3/4 GOMMA
90	VL1034A	FILTRO ACQUA Ø10 MESH100
91	TB2237A	TUBO Ø10 ALLACCIAMENTO RETE
92	RC1360A	RACCORDO GOMITO JG 10-10
94	EL1185B	RACCORDO GOMITO D8F-D8F
95	VM2029A	RONDELLA GOMMA 20X8X4
96	EL1195B	RACCORDO GOMITO D8F-D8M
97	VL1042A	RIDUTTORE PRESSIONE CON DISTRIBUTORE

98	VL1038A	POMPA VIBRAZIONE
99	EL1411A	ELETTROVALVOLA H2O CON CHECK VALVE
100	EL1020A	RACCORDO INTERMEDIO "T" TUBO Ø8
101	OH6413A	SUPPORTO IMPIANTO IDRICO
102	VM1630A	TAPPO PREMI VETRO INTERNO
103	VM2028A	RONDELLA GOMMA 20X10X4
104	GN1400A	GUARNIZIONE SIFONE
105	VM2039A	ANELLO FISSAGGIO CURVA DI SCARICO
106	VL1026A	CURVA PER TUBO DI SCARICO
107	OH1019A	LAMIERA RINFORZO PIEDI H100 CT
108	PD1066B	PIEDE H100 PLASTICA BICOMPONENTE
109	PD1063A	STAFFA BLOCCAGGIO PIEDE CT BT
110	VM1991A	CASSETTO RACCOGLI GOCCE 750
111	VM1220A	CLIP FISSAGGIO CASSETTO RACCOGLIGOCCE
112	VM1225A	PIASTRINA PASSACAVO CONTROLLO
113	PE1967A	SCHEDA RIARMO RJ45
114	VM1200A	PIASTRINA SUPPORTO MICROPORTA MECCANICO
115	VE1295A	MICROINTERRUTTORE PORTA MK 16A 230V UL
116	OH1450A	ANGOLO FACCIATA MUFFOLA INOX XB-XV-XG
117	VM1008A	ANGOLARE INT. SUPPORTO GUARNIZIONE
118	OH3790A	LAMIERA TENUTA CAMINO
119	GN1275A	GUARNIZIONE CAMINO SILICONE NERO XVC
120	VM1505A	PASSAPARETE CON DIAFRAMMA
121	VL1041A	TAPPO DETERGENTE
122	VL1044A	KIT FILTRO E AFFONDANTE
150	OH6502A	PROFILO PORTA COMPONENTI XVC105E
151	PE1725D	SCHEDA POTENZA FORNI CT-BT S5.E
152	VE1115A	MINICONTATTORE QUADRIPOLORE 20 A 230 V
153	VM1075A	CLIP DI FISSAGGIO PER TELERUTTORI
154	VM1745A	SUPPORTO PER SCHEDA
155	VM1605A	CLIP TWIST LOCK DIAM. 10,2-12,7 MM

156	VE1110A	CONDENSATORE 6,3 7F 450VAC 50/60HZ
157	VM1750A	MORSETTIERA A PETTINE
158	CE1580A	SPINA SCHUKO + CAVO 3G X 1,5 MMQ
159	VM1310A	SCATOLA COPRI MORSETTIERA XB/XV/XVC/XG
160	VE1075A	PRESSACAVO FV 268 RO+VITI FISSAGGIO
161	MR1004A	MORSETT. 7FTW GV V0 VL CU 1+2+3/4+5+6

MOD:XVC105E



EN

Codes descriptions

1	VT1121B	XVC105 EXTERNAL GLASS 748X424X5
2	VT1120B	INTERNAL GLASS 665X414X6 BETFL XVC104
3	VM1916A	RIGHT UPPER COLUMN CAP
4	VM1917A	LEFT UPPER COLUMN CAP
5	VM1918A	RIGHT LOWER COLUMN CAP
6	VM1919A	LEFT LOWER COLUMN CAP
7	CR1050A	DOOR HINGE XVC104-LM ROSSELLA
8	CE1280A	CABLE TO CONNECT POWER-CONTROL
9	CE1285A	EMI ROUND FERRITE MOD.2643801502
10	CE1290A	EXTRACTABLE FEMALE TERMINAL CPF 5/4
11	LP1000A	LED LIGHTING BAR L100
12	VM1620A	LED BAR LOWER SUPPORT
13	VM1621A	LED BAR UPPER SUPPORT
14	OH2620B	HANDLE TUBE EX-D=18 TH=1 L=668
15	MG1015B	L.MISS/L.MICRO/CHEFTOP HANDLE TERMINALS
16	PE1740A	CT BT CONTROL BOARD PE1705 + BOARD COVER
17	VM1025A	NYLON LID PA66 V2 GREY Ø16
40	TB2354A	XVC055E/105E INTERNAL CENTRAL WATER PIPE
41	OG1507A	XVC105E FAN GUARD
42	GN1036A	XVC105 DOOR GASKET - GN1110A
43	VN1030A	MOTOR FAN D196 H81 39 BLADE NUT M8
44	RS1225A	6 T. HEATING ELEMENT 1,7+1,7+1,3 KW 230V
45	GN1085A	HEATING ELEMENT GASKET 141X24 G6.25
46	RS1215A	147W 105V D230 1 TURN FLAT ELEMENT
47	GN1326A	ELEMENT SEALING
48	OH2551A	XBC/XVC ST.STEEL DRAIN COVER
49	TR1040A	MOLDED CORE PROBE L=1320
50	GRL1215A	3 GN2/3 ST. STEEL RIGHT LATERAL SUPPORT
51	VM1820A	LATERAL SUPPORTS M6 FIXING BOLTS
52	TR1105A	TEMPERATURE PROBE PT100 L1000
53	GN1285A	NTC TEMPERATURE PROBE SEALING

54	VM1465A	CHEFTOP TEMPERATURE PROBE COVER
55	VM1955B	WASHIG SYSTEM ROTOR
56	RC1170A	STAINLESS STEEL NUT M14 H=8 CH=22
57	OH3015A	EXTERNAL WATER PIPE+WELDED CONNECTION
58	EL1361A	J.G. THREE-STAGE SOLENOID VALVE D8-D10
59	GN1140A	MOLDED MOTOR SUPPORT GASKET
60	OH4305A	ST. STEEL MOTOR SHAFT SEALING DISC
61	VN1130A	330W 230V 50/60HZ MOTOR
62	OH3586A	ZINCATE MOTOR GUARD PLATE XBC-XVC
63	VE1135A	VENTURI ACTUATOR 220 V 50/60 HZ SERIES 2
64	RC1378A	HOSE CLAMP
65	TB1956A	TB1520A - EPDM BLACK PIPE L=50
66	EL1055A	INTERMEDIATE REDUCTION FROM D=10 TO D=8
67	GRL1216A	3 GN2/3 ST. STEEL LEFT LATERAL SUPPORT
80	OD2190A	XVC105E EXTERNAL COVER
81	OF1455A	XVC105E EXTERNAL BACK PANEL
82	OE1321A	XVC105E EXTERNAL BOTTOM PANEL
83	VN1120B	12V COOLING DOWN FAN
84	VM1555A	CT BT COOLING DOWN FAN SUPPORT
85	VM1556A	XBC-XVC COOLING FAN GUARD
86	RC1373A	Ø6F-Ø6F ELBOW FITTING
87	VL1043A	D4 PIPE HOLDER - D6 J.G. TERMINAL
88	RC1365A	3/4"-10 JG FEMALE CONNECTION
89	GN1200A	3/4 CONNECTION SEAL D=24 RUBBER+NET
90	VL1034A	Ø10 MESH100 WATER FILTER
91	TB2237A	Ø10 WATER MAIN CONNECTION PIPE
92	RC1360A	10 - 10 JG ELBOW FITTING
94	EL1185B	D8F-D8F ELBOW FITTING
95	VM2029A	RUBBER WASHER 20X8X4
96	EL1195B	D8F-D8M ELBOW CONNECTION
97	VL1042A	PRESSURE REDUCER WITH DISTRIBUTOR

98	VL1038A	VIBRATION PUMP
99	EL1411A	SOLENOID VALVE WITH CHECK VALVE
100	EL1020A	INTERMEDIATE "T" CONNECTION Ø8
101	OH6413A	WATER SYSTEM SUPPORT
102	VM1630A	INTERNAL GLASS PUSHING CAP
103	VM2028A	RUBBER WASHER 20X10X4
104	GN1400A	U-TRAP SEAL
105	VM2039A	DRAIN BEND FIXING RING
106	VL1026A	BEND FOR DRAIN PIPE
107	OH1019A	BRACKET FOR CHEFTOP H100 FEET
108	PD1066B	BI-COMPONENT FOOT H100
109	PD1063A	CT BT FOOT STOP BRACKET
110	VM1991A	DRIP TRAY
111	VM1220A	CLIP TO FIX DRIP TRAY C.T.
112	VM1225A	PLATE WITH HOLES FOR ELECTRONIC
113	PE1967A	RJ45 CONNECTION + RESET POINT
114	VM1200A	DOOR MECHANIC MICROSWITCH SUPPORT PLATE
115	VE1295A	DOOR MICROSWITCH MK 16A 230V UL
116	OH1450A	XB-XV-XG ST. STEEL MUFFLE FRONT CORNER
117	VM1008A	GASKET SUPPORT INTERNAL CORNER
118	OH3790A	CHIMNEY HOLDING PLATE
119	GN1275A	XBC/XVC BLACK CHIMNEY SEALING
120	VM1505A	WALL PASSING WITH DIAPHRAGM
121	VL1041A	DETERGENT CAP
122	VL1044A	HOLD DOWN WEIGHT WITH FILTER
150	OH6502A	XVC105E COMPONENTS HOLDING PROFILE
151	PE1725D	E SERIES CHEFTOP-BAKERTOP POWER CARD
152	VE1115A	MINI CONTACTOR WITH 4 POLES 20 A 230 V
153	VM1075A	PLASTIC CLIP TO FIX CONTACTORS
154	VM1745A	BOARD SUPPORT
155	VM1605A	CLIP TWIST LOCK DIAM. 10,2-12,7 MM

156	VE1110A	CONDENSER 6,3 7F 450VAC 50/60HZ
157	VM1750A	TERMINAL BOARD
158	CE1580A	SCHUKO PLUG + 3G X 1,5 MMQ CABLE
159	VM1310A	COVER FOR TERMINAL BOX XB/XV/XVC/XG
160	VE1075A	WIRE CLAMP FV 268 RO + FIXING SCREWS
161	MR1004A	TERMINAL 7FTW GV V0 VL CU 1+2+3/4+5+6